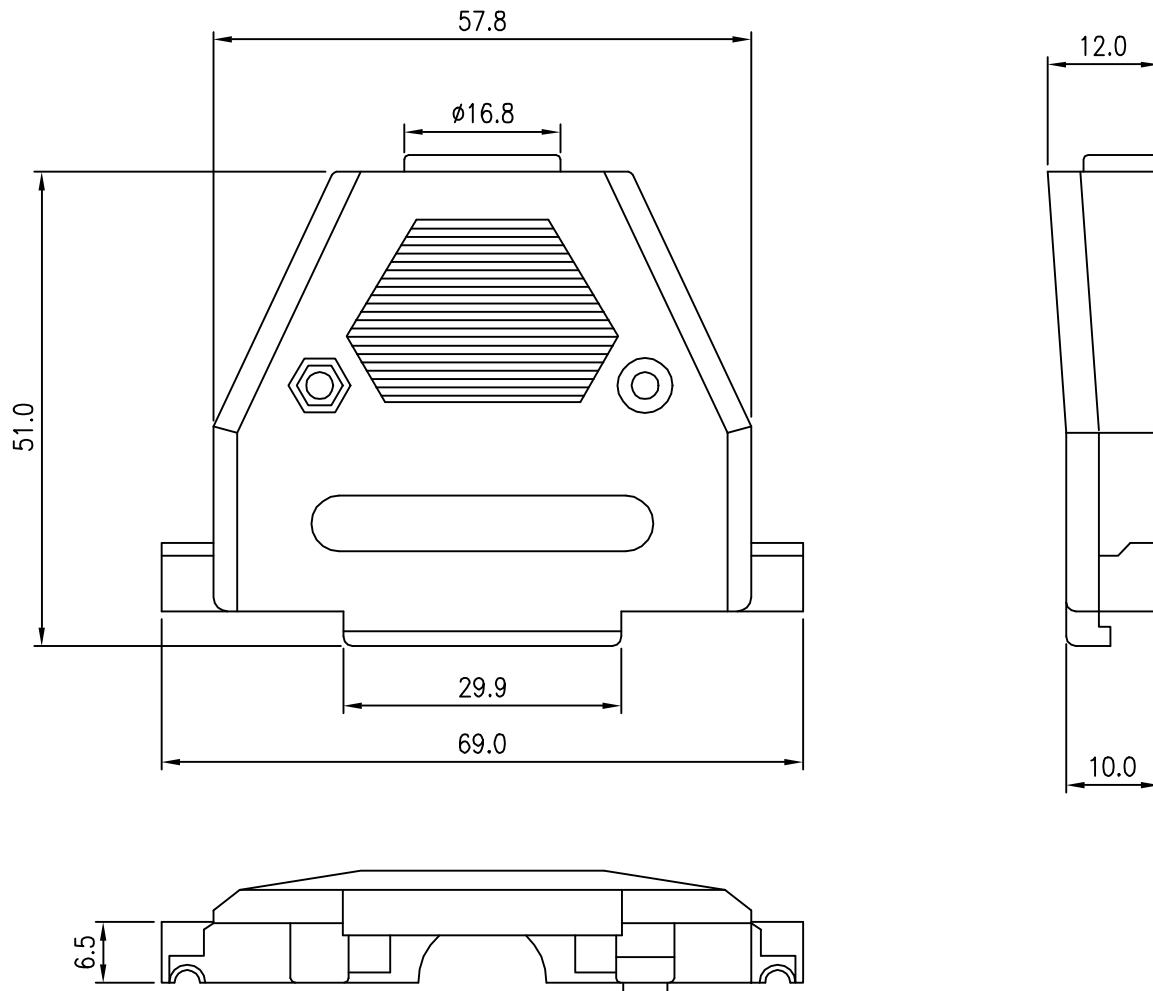




All rights strictly reserved. Reproduction or issue to third parties in any form whatever is not permitted without written authority from the proprietor. Property of FCI. Copyright FCI.

Tous droits strictement reserves. Reproduction ou communication a des tiers interdite sous quelque forme que ce soit sans autorisation ecrite du propriétaire. Propriete de c FCI. Droits de reproduction FCI.



mat'l. code				tolerances unless otherwise specified				CUSTOMER COPY		 www.fciconnect.com		
ltr	ecn no	dr	date	linear	.X ±.30		projection	title				
A	T04-0160	J.C.	3/23/04		.XX ±.20		 MM	PLASTIC HOOD FOR D-SUB 37PIN				
B	T04-0348	J.C.	8/11/04		.XXX ±.10			product family D-SUB ACCESSORY code -				
C	T06-0049	J.H.	4/13/06	angles	0° ±1°		scale	A4		sheet 1 of 2		
				dr	JASMINE CHANG	3/23/04	N/A		size		10039452	
				enr	WADE LIU	3/23/04			dwg no			
				chr	ROGER LIN	3/23/04			cage code		22526	
				appd	JAMES HSU	3/23/04						
sheet index	revision sheet	C	C									
		1	2									

ACAD

PDM: Rev:C

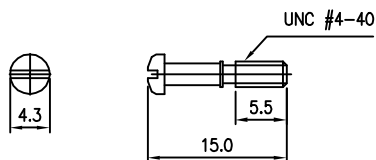
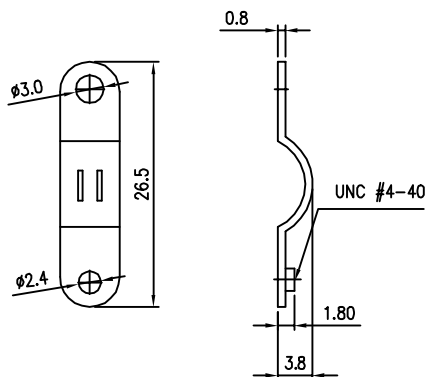
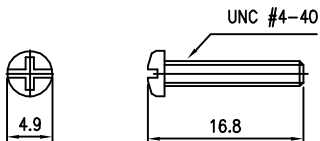
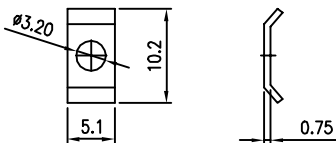
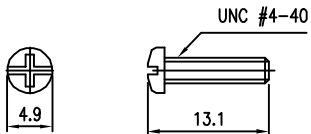
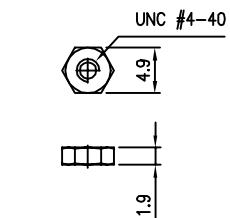
STATUS Released

Printed: Apr 20, 2006

Tous droits strictement reserves. Reproduction ou communication a des tiers interdite sous quelque forme que ce soit sans autorisation ecrite du proprietaire. Propriete de c FCI. Droits de reproduction FCI.



All rights strictly reserved. Reproduction or issue to third parties in any form whatever is not permitted without written authority from the proprietor. Property of FCI. Copyright FCI.



NOTE:

MATERIAL:

Insulator: ABS UL94-HB

The product is not intended to be exposed to a manufacturing process.

PRODUCT NUMBER:

10039452- 0 0 0 X X LF

PLATING LEAD FREE

TYPE

1: NO PLATED.

2: Cr PLATED.

PLASTIC COLOR

0: GRAY.

mat'l. code				tolerances unless otherwise specified		INSPECTION COPY		FCI www.fciconnect.com	
ltr	ecn no	dr	date	linear	.X ±.30	projection	title		
B					.XX ±.20		PLASTIC HOOD FOR D-SUB 37PIN		
C	T06-0049	J.H.	04/13/06	angles	.XXX ±.10		product family	D-SUB ACCESSORY	code
				dr	0° ±1'	MM	size	dwg no	sheet
				enr	JASMINE CHANG 3/23/04'	scale	A4	10039452	2 of 2
				chr	WADE LIU 3/23/04'	N/A			
				appd	ROGER LIN 3/23/04'				
					JAMES HSU 3/23/04'				
sheet index	revision sheet	C	C						
		1	2						

cage code 22526